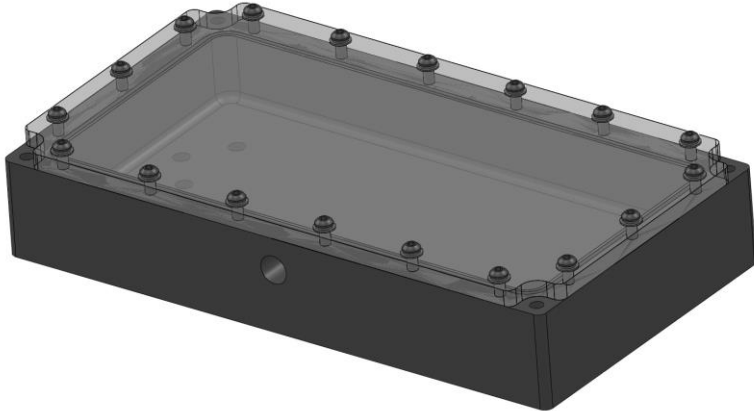


# Macduff Robotics

Intelligent Subsea Equipment



## Description:

A subsea oil-filled electronics enclosure that can be installed with electrical and fiberoptic components as required. Plastic body allows easy addition of ports and attachment points as required depending on application.

## Oil filled junction box.

### MAIN FEATURES

- Acetal construction
- Dedicated mounting points that allow the lid to be removed in situ.
- Bleed points in the lid and sides allowing easy bleeding in any orientation.
- Various sizes available with custom sizes available on request.

### Further Information

Spares kits also available

### Equipment supplied

Standard tool supply includes

- Junction box assembly
- Operating manual



info@macduff-robotics.com

## Specifications

Weight in Air	.....	Minimal – dependent on size
Weight in sea water	.....	Near zero – TBC at time of order

## Optional additions

- Over pressure relief valve

Information contained in this data sheet is up-to-date and correct as at the date of issue. All product designs, specifications and data are subject to change without notice to improve reliability, function, design or otherwise. No express or implied warranties are given.